



226 Wildcat Rd, North York, ON, M3J 2N5



info@renovationoutlet.ca



(+1) 416-822-7588

# RENOVATIONOUTLET

door hardware at unbeatable price

Mon-Fr: 10am-5pm

Sat: 10am-4pm

Sun: closed

## MODERN & CLASSIC DESIGN

Modern design with straight lines became very popular in the last few years. Because of symmetrical shape – same handle can be installed on left or right facing door without any modifications.

## ALWAYS IN STOCK

We hold huge inventory of various door hardware products in many colors and can supply required quantity no matter how big your project is.

## COMPLETE SET

For every interior door handle we have matching hinges, entry door handles, door stoppers and deadbolts.

**\*Keyed Alike** - keying alike means that locks in a set or 'suite' have the same key code, i.e. any key fits any lock. This is convenient where a large number of locks are to be used by the same group of people or person but can be a problem if individual security is important.

**\*Keyed to Differ** - lock means that all locks have different key combinations, i.e. a key from one lock will not fit any other lock in the same group, there is usually a limit to the total number of differs available for a particular lock group but is generally high and not normally a problem for most applications

**\*Passage** – for use on interior doors where a locking feature is not required (e.g. bedrooms or hallways).

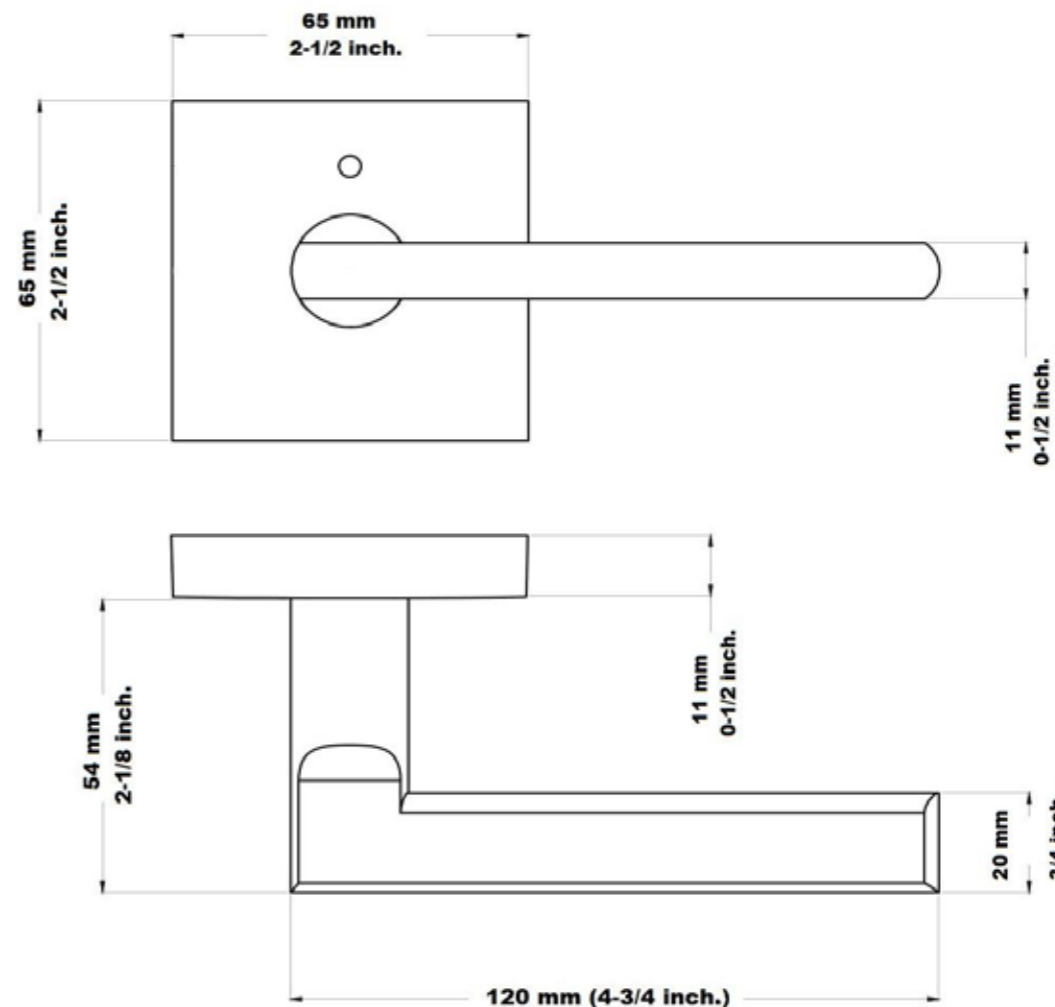
**\*Privacy** – for use on interior doors where a privacy locking function is required (e.g. bathrooms).

**\*Dummy** – for use on interior door where a pull/push function is required (e.g. closet). Comes as set of 2 handles

## Halifax Style Lever Set Square Rose



[Buy now](#)



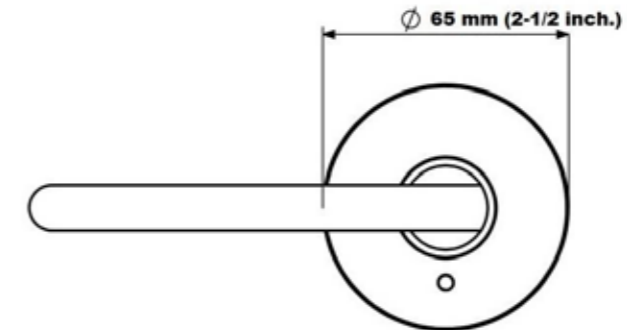
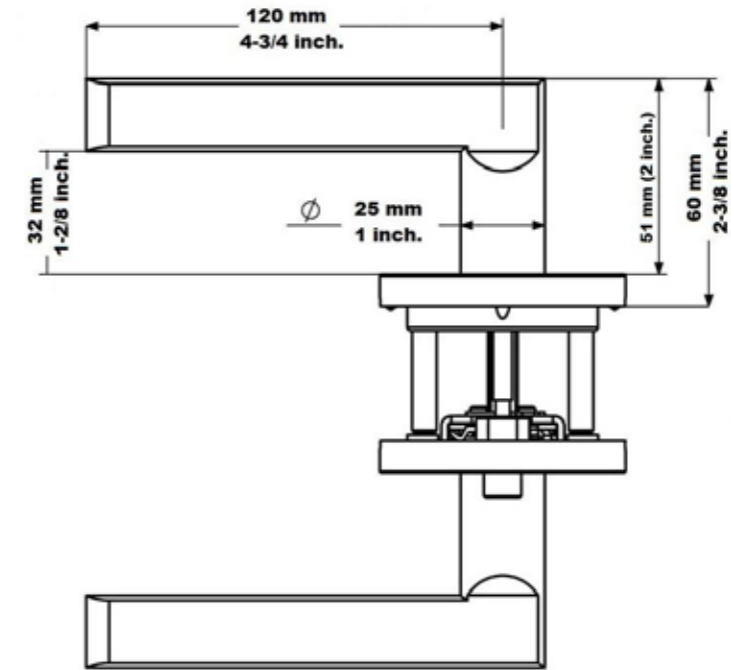
### DESCRIPTION

- Square corner rectangular Faceplate: 1" x 2-1/4" (25.5 mm x 57 mm)
- Backset: Adjustable to 2-3/8" or 2-3/4" (60 mm or 70 mm)
- Fits Door Thickness: 1-3/8" to 1-3/4" (35 mm or 44.5 mm)
- Bore Hole: 2-1/8" (54 mm)
- Weight: 0.88 lb (400 g)
- Push Button Locking

## Halifax Style Lever Set Round Rose Concealed Screws



[Buy now](#)



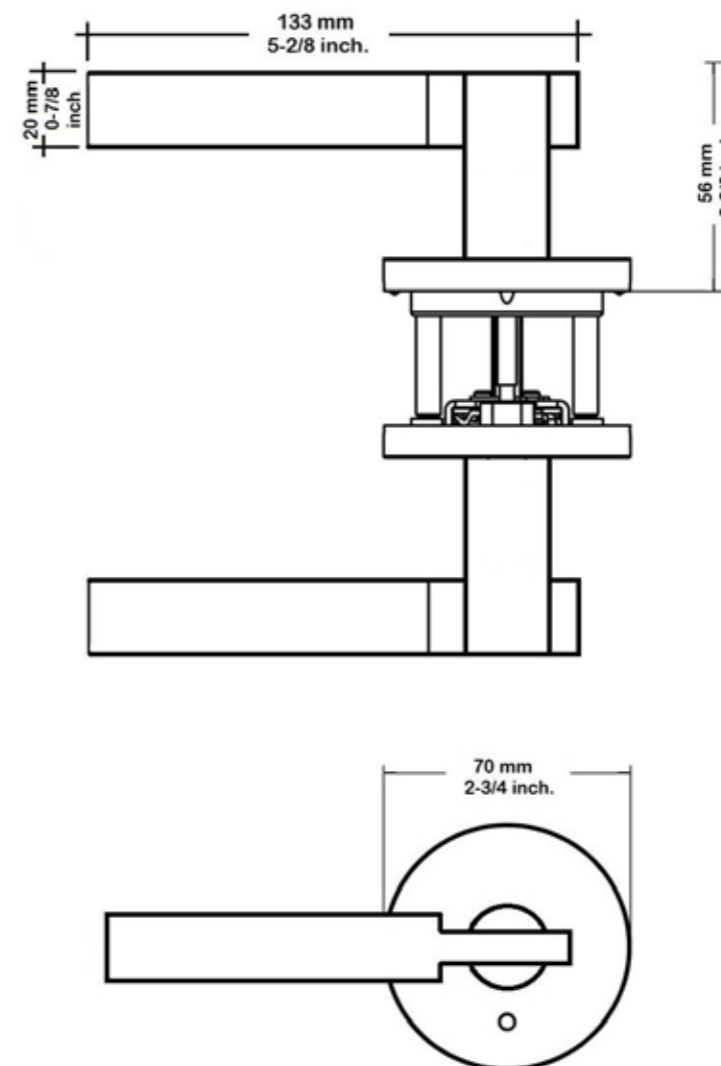
### DESCRIPTION

- Square corner rectangular Faceplate: 1" x 2-1/4" (25.5 mm x 57 mm)
- Backset: Adjustable to 2-3/8" or 2-3/4" (60 mm or 70 mm)
- Fits Door Thickness: 1-3/8" to 1-3/4" (35 mm or 44.5 mm)
- Bore Hole: 2-1/8" (54 mm)
- Weight: 1.65 lb. (750 g)
- Push Button Locking

## Saturn Lever Set Round Rose



[Buy now](#)



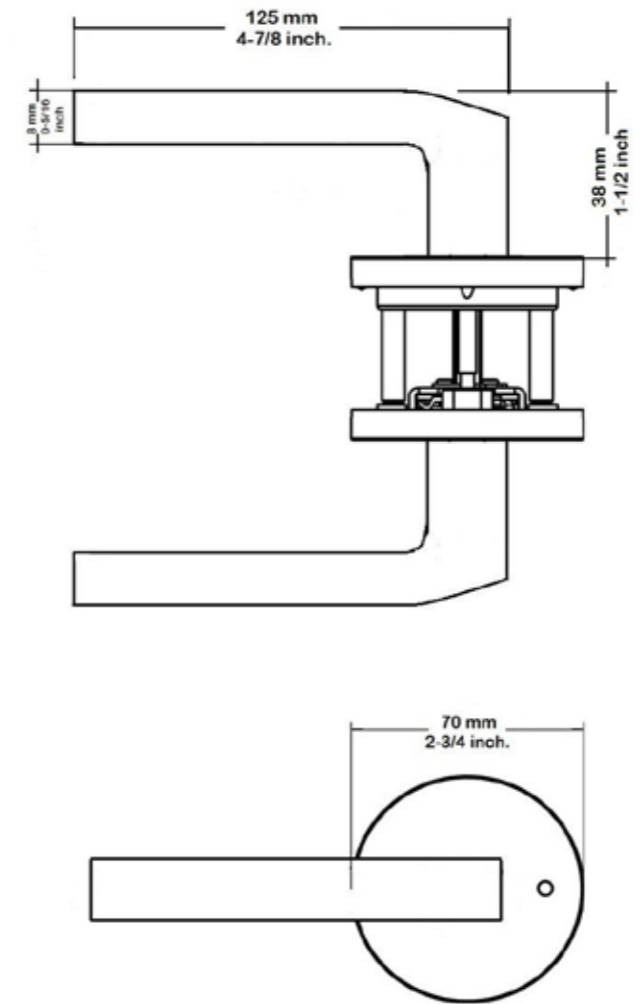
### DESCRIPTION

- Square corner rectangular Faceplate: 1" x 2-1/4" (25.5 mm x 57 mm)
- Backset: Adjustable to 2-3/8" or 2-3/4" (60 mm or 70 mm)
- Fits Door Thickness: 1-3/8" to 1-3/4" (35 mm or 44.5 mm)
- Bore Hole: 2-1/8" (54 mm)
- Weight: 1.98 lb. (900 g)
- Push Button Locking

## Polar Lever Set Round Rose



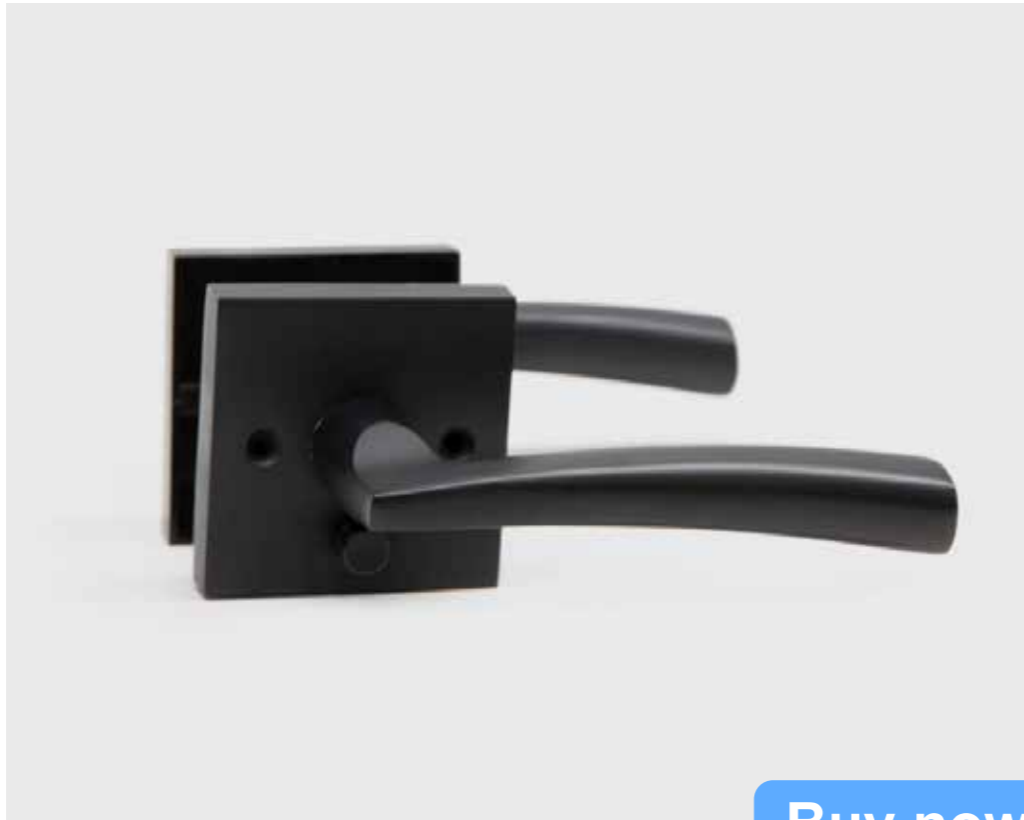
[Buy now](#)



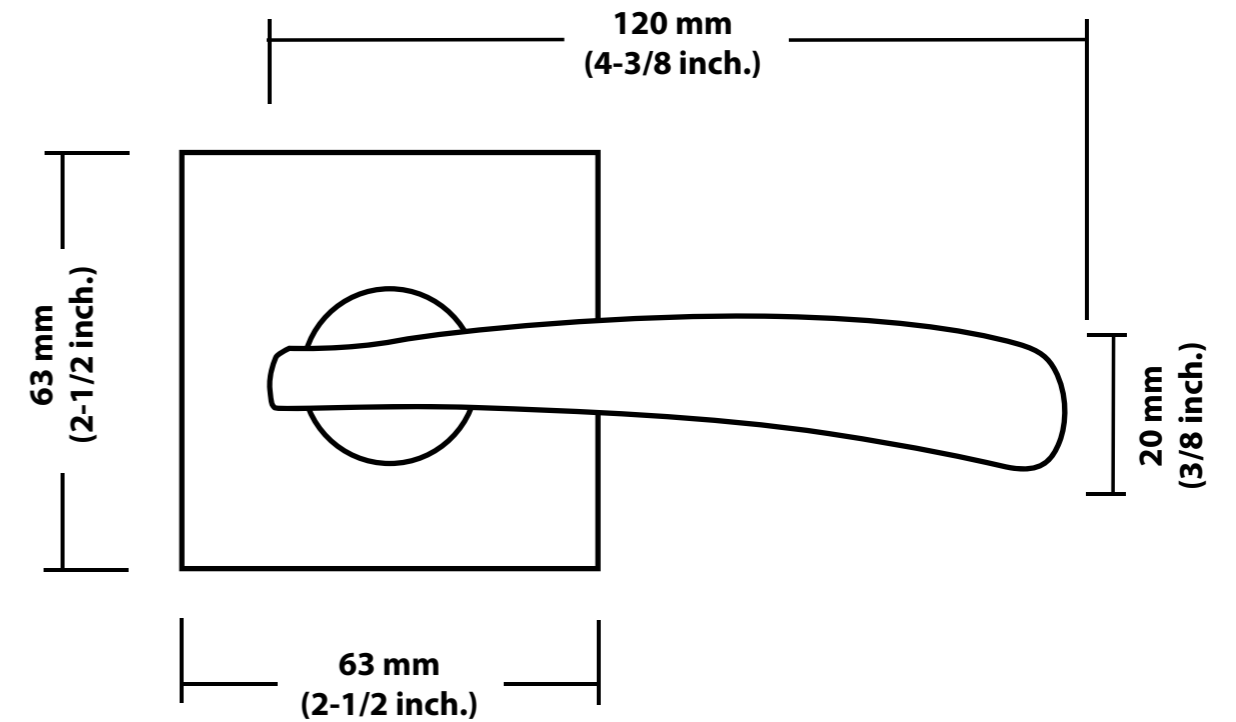
### DESCRIPTION

- Square corner rectangular Faceplate: 1" x 2-1/4" (25.5 mm x 57 mm)
- Backset: Adjustable to 2-3/8" or 2-3/4" (60 mm or 70 mm)
- Fits Door Thickness: 1-3/8" to 1-3/4" (35 mm or 44.5 mm)
- Bore Hole: 2-1/8" (54 mm)
- Weight: 0.88 lb (400 g)
- Push Button Locking

## Breeze Lever Set with Push Button



[Buy now](#)



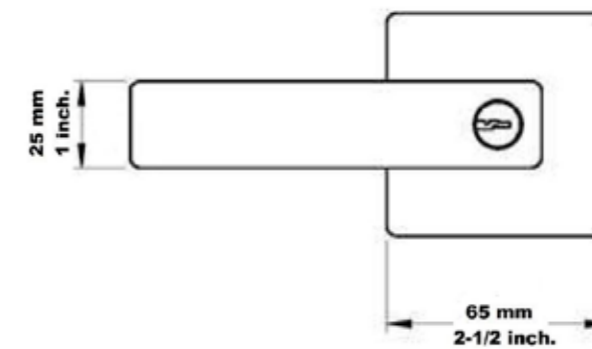
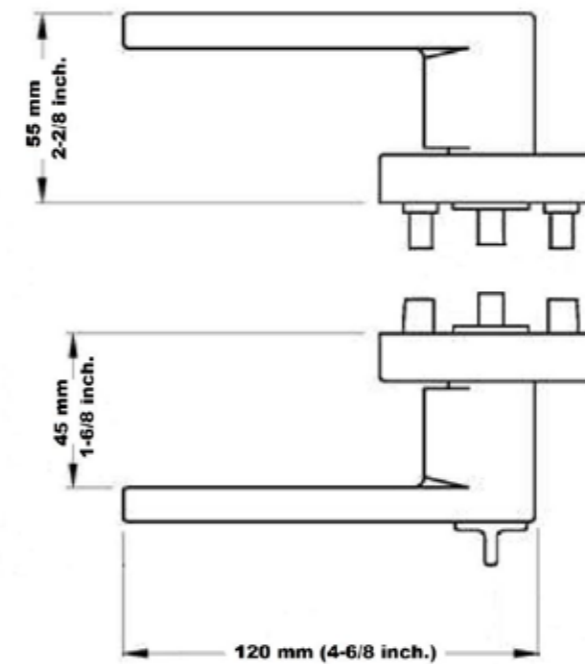
### Product Description:

- Square corner rectangular faceplate: 1" x 2-1/4"
- Bucket: Adjustable 2-3/8" (60mm) to 2-3/4"(70 mm) buckets
- Fits door Thickness: 1-3/8" or 1-3/4"
- Bore Hole 2-1/8 inch (54 mm)
- Weight: 1.87 lb (850 g.)
- Push button locking

## Lisbone Lever Set Square Rose



[Buy now](#)



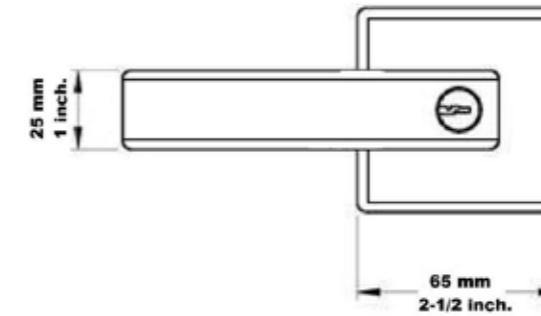
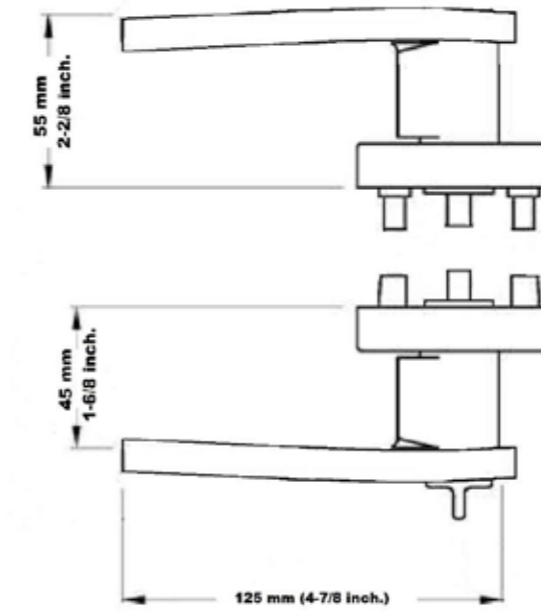
### DESCRIPTION

- Square corner rectangular Faceplate: 1" x 2-1/4" (25.5 mm x 57 mm)
- Backset: Adjustable to 2-3/8" or 2-3/4" (60 mm or 70 mm)
- Fits Door Thickness: 1-3/8" to 1-3/4" (35 mm or 44.5 mm)
- Bore Hole: 2-1/8" (54 mm)
- Weight: 1.87 lb (850 g)
- Turn Button Lockig

## Holland Lever Set 2 tones Satin Nickel



[Buy now](#)



### Description:

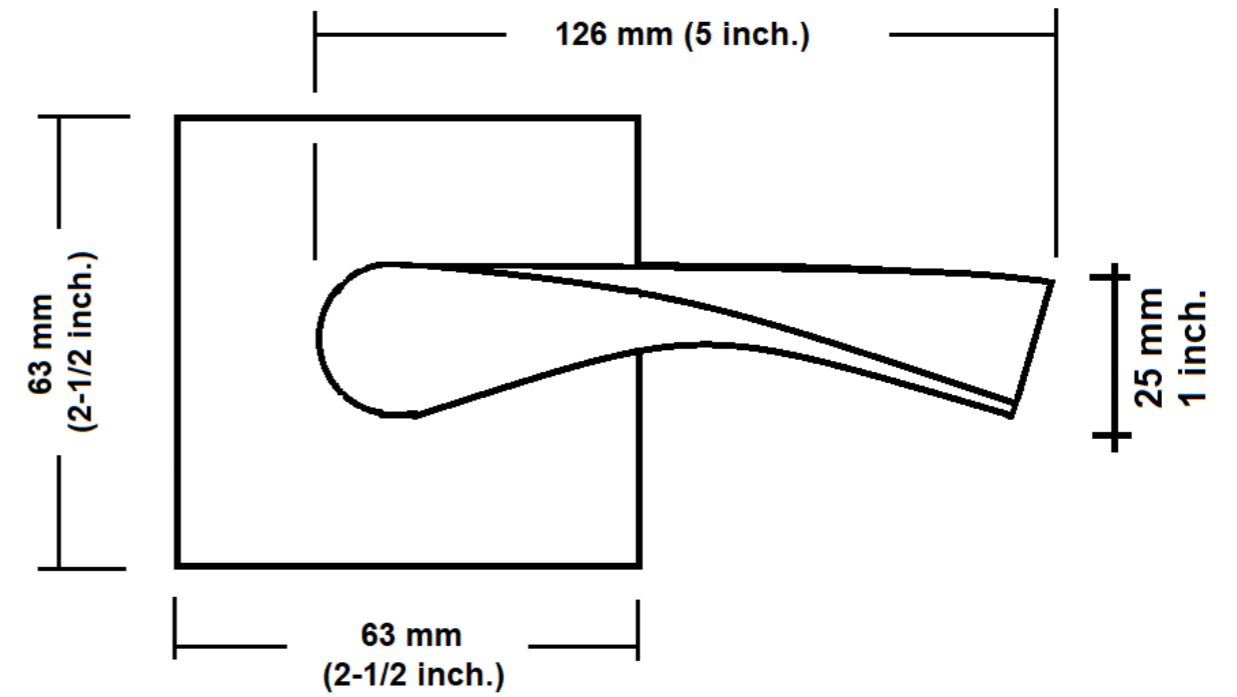
- Square corner rectangular Faceplate: 1" x 2-1/4" (25.5 mm x 57 mm)
- Backset: Adjustable to 2-3/8" or 2-3/4" (60 mm or 70 mm)
- Fits Door Thickness: 1-3/8" to 1-3/4" (35 mm or 44.5 mm)
- Bore Hole: 2-1/8" (54 mm)
- Weight: 1.8 lb. (820 g)
- Turn Button Locking



## Breeze Lever Set Square Rose



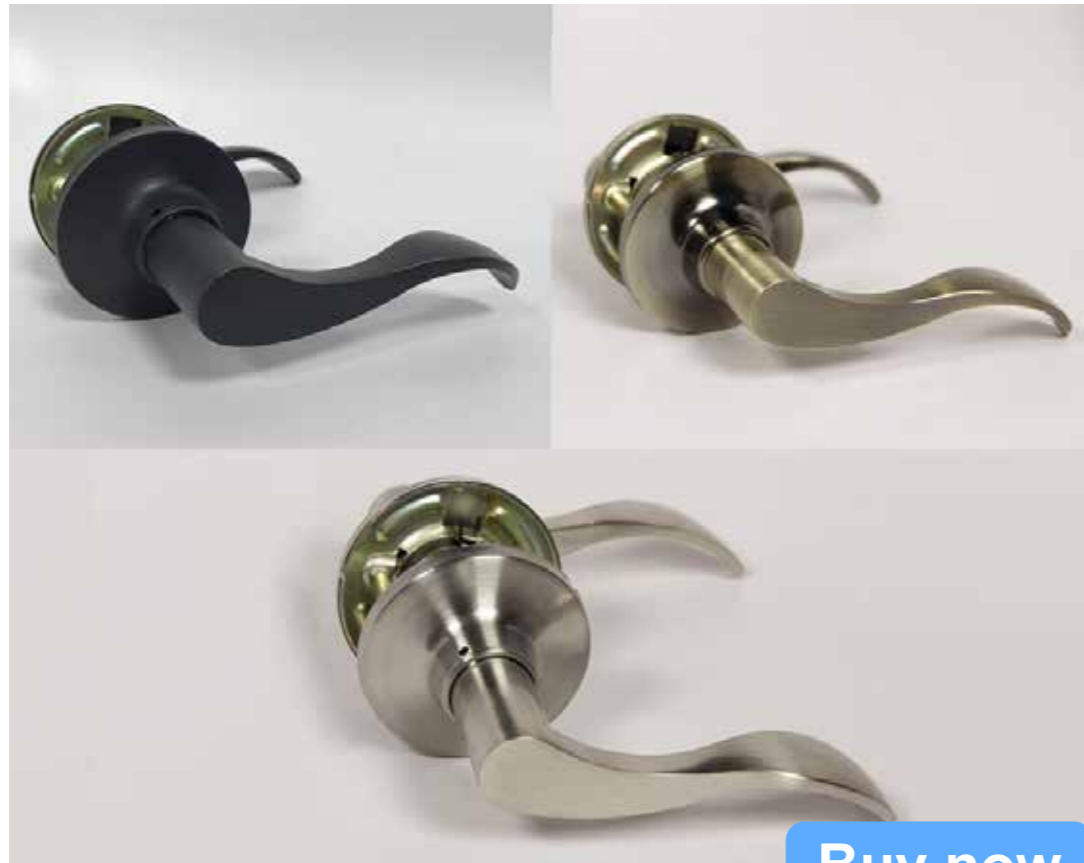
[Buy now](#)



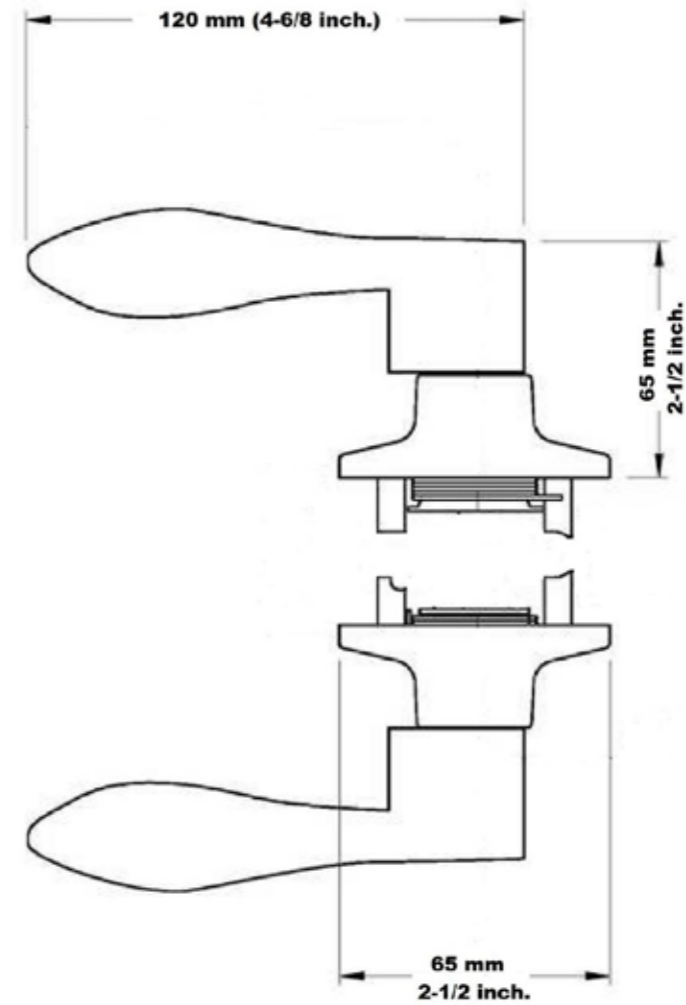
### Product Description:

- Square corner rectangular faceplate: 1" x 2-1/4"
- Bucket: Adjustable 2-3/8" (60mm) to 2-3/4"(70 mm) buckets
- Fits door Thickness: 1-3/8" or 1-3/4"
- Bore Hole 2-1/8 inch (54 mm)
- Weight: 1.5 lb (700 g.)
- Push button locking

## Classic Reversible Lever Set



[Buy now](#)



### DESCRIPTION

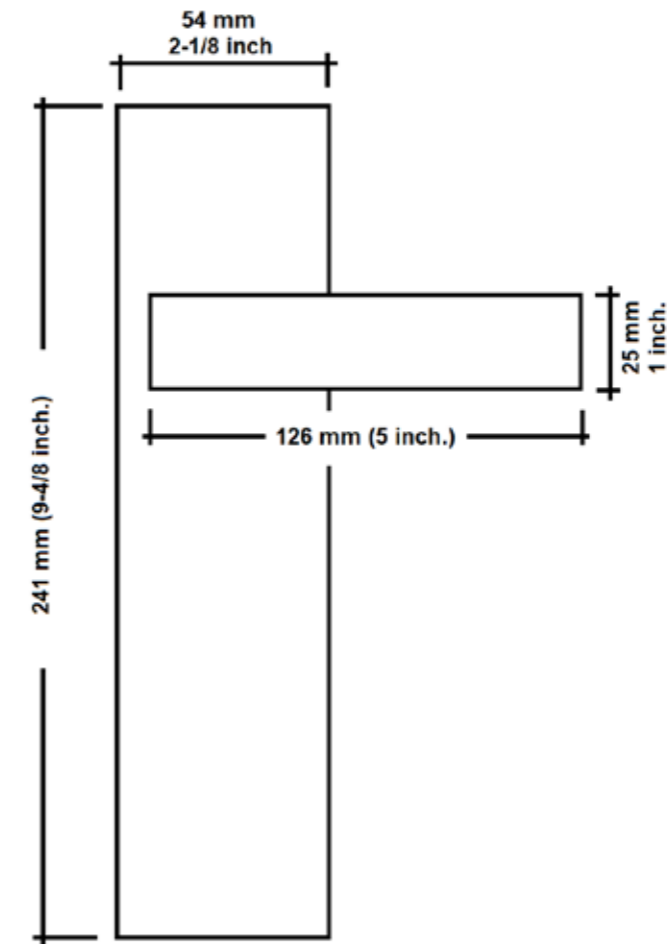
- Square corner rectangular Faceplate: 1" x 2-1/4" (25.5 mm x 57 mm)
- Backset: Adjustable to 2-3/8" or 2-3/4" (60 mm or 70 mm)
- Fits Door Thickness: 1-3/8" to 1-3/4" (35 mm or 44.5 mm)
- Bore Hole: 2-1/8" (54 mm)
- Weight: 1.65 lb. (750 g)
- Turn Button Lockig

## Tokyo Long Backplate Lever Set

**NON-BORED DOORS ONLY**



[Buy now](#)



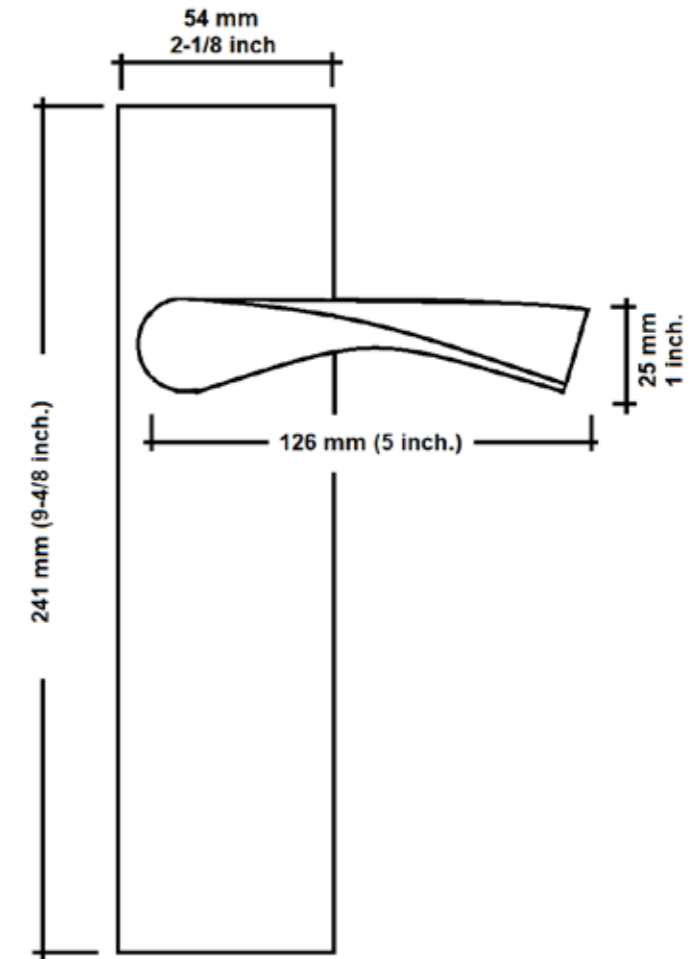
- Square corner rectangular Faceplate: 1" x 2-1/4" (25.5 mm x 57 mm)
- Backset: Adjustable to 2-3/8" or 2-3/4" (60 mm or 70 mm)
- Fits Door Thickness: 1-3/8" to 1-3/4" (35 mm or 44.5 mm)
- Bore Hole: 1-1/2 inch. (38 mm)
- Weight: 2.20 lb. (1 kg)
- Turn Button Locking

## Breeze Long Backplate Lever Set

NON-BORED DOORS ONLY



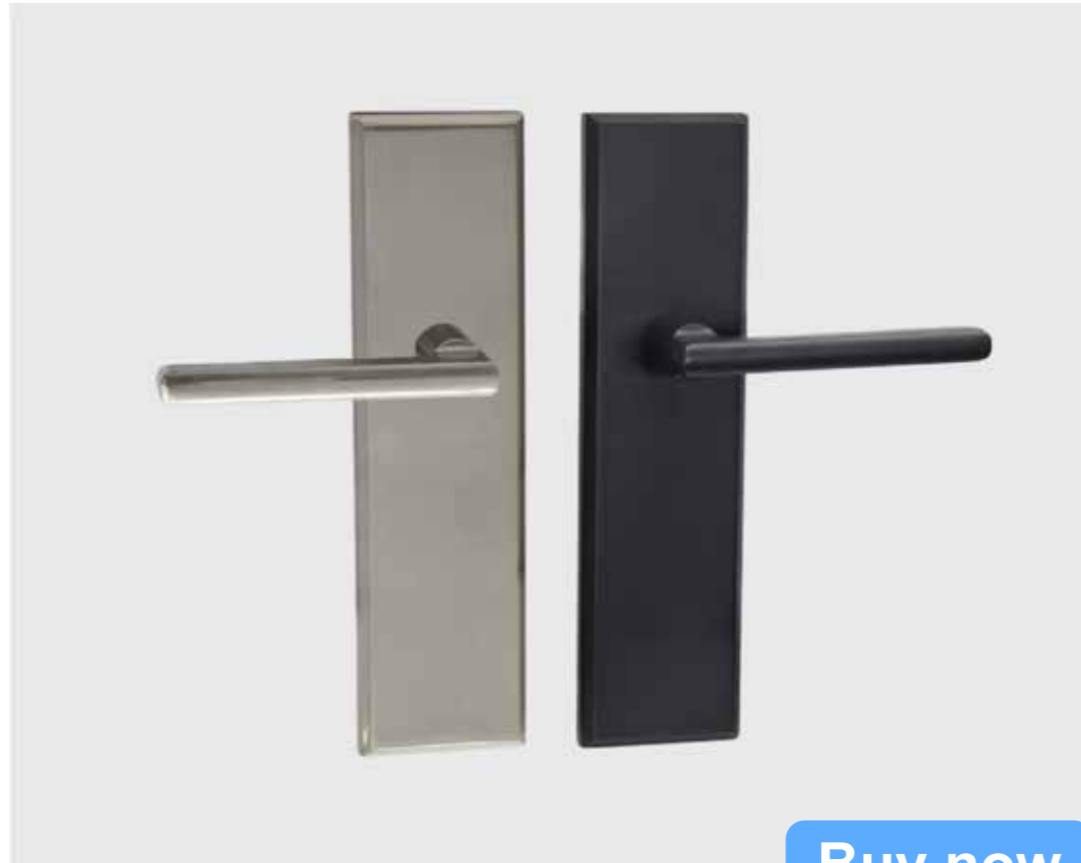
[Buy now](#)



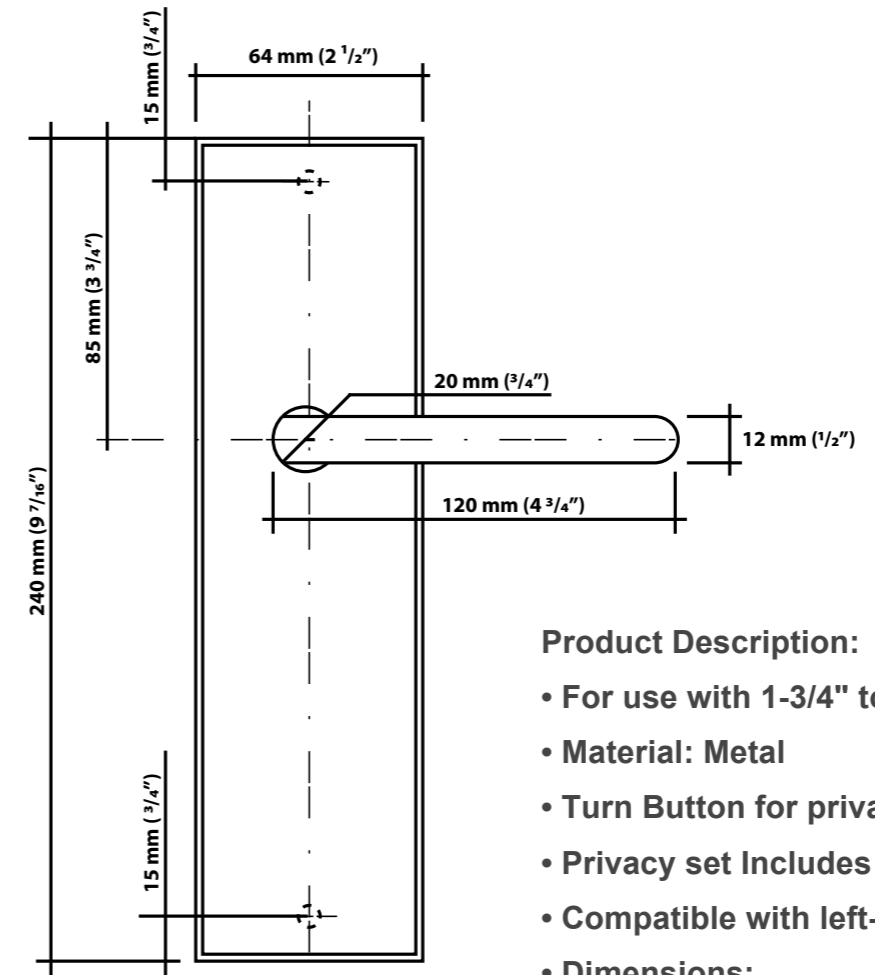
- Square corner rectangular Faceplate: 1" x 2-1/4" (25.5 mm x 57 mm)
- Backset: Adjustable to 2-3/8" or 2-3/4" (60 mm or 70 mm)
- Fits Door Thickness: 1-3/8" to 1-3/4" (35 mm or 44.5 mm)
- Bore Hole: 1-1/2 inch. (38 mm)
- Weight: 2.20 lb. (1 kg)
- Turn Button Locking

# Halifax Long Backplate Lever Set

Fits Standard Doors Preparations

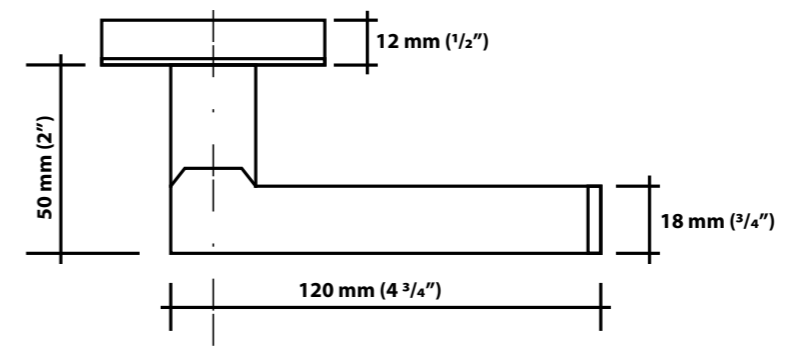


Buy now



### Product Description:

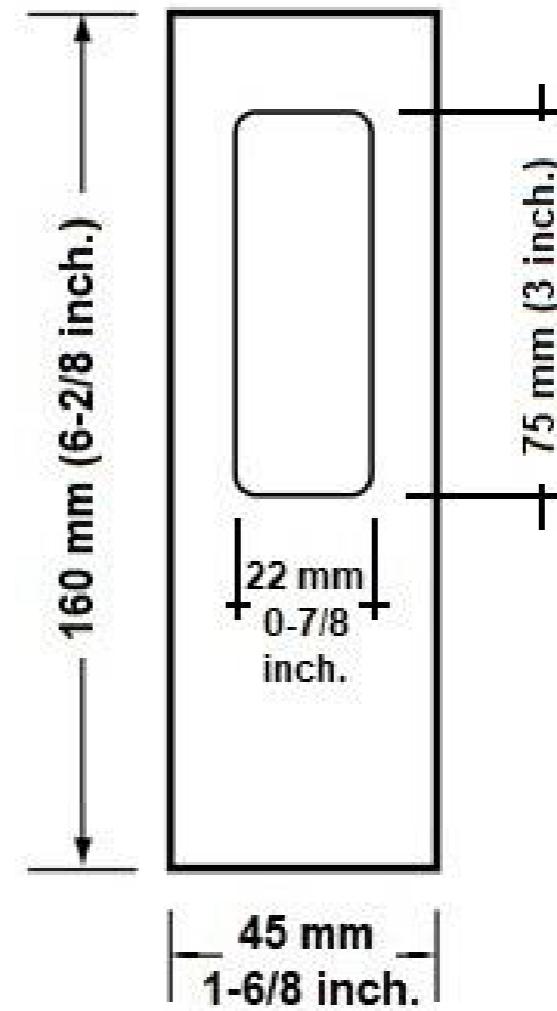
- For use with 1-3/4" to 2-1/4" door thickness
- Material: Metal
- Turn Button for privacy lock
- Privacy set Includes mortise lock, strike plate
- Compatible with left-hand and right-hand doors
- Dimensions:
  - Width: 1-3/4" (45 mm)
  - Height: 6-1/4" (159 mm)



## Pocket Door Pull Handle



[Buy now](#)

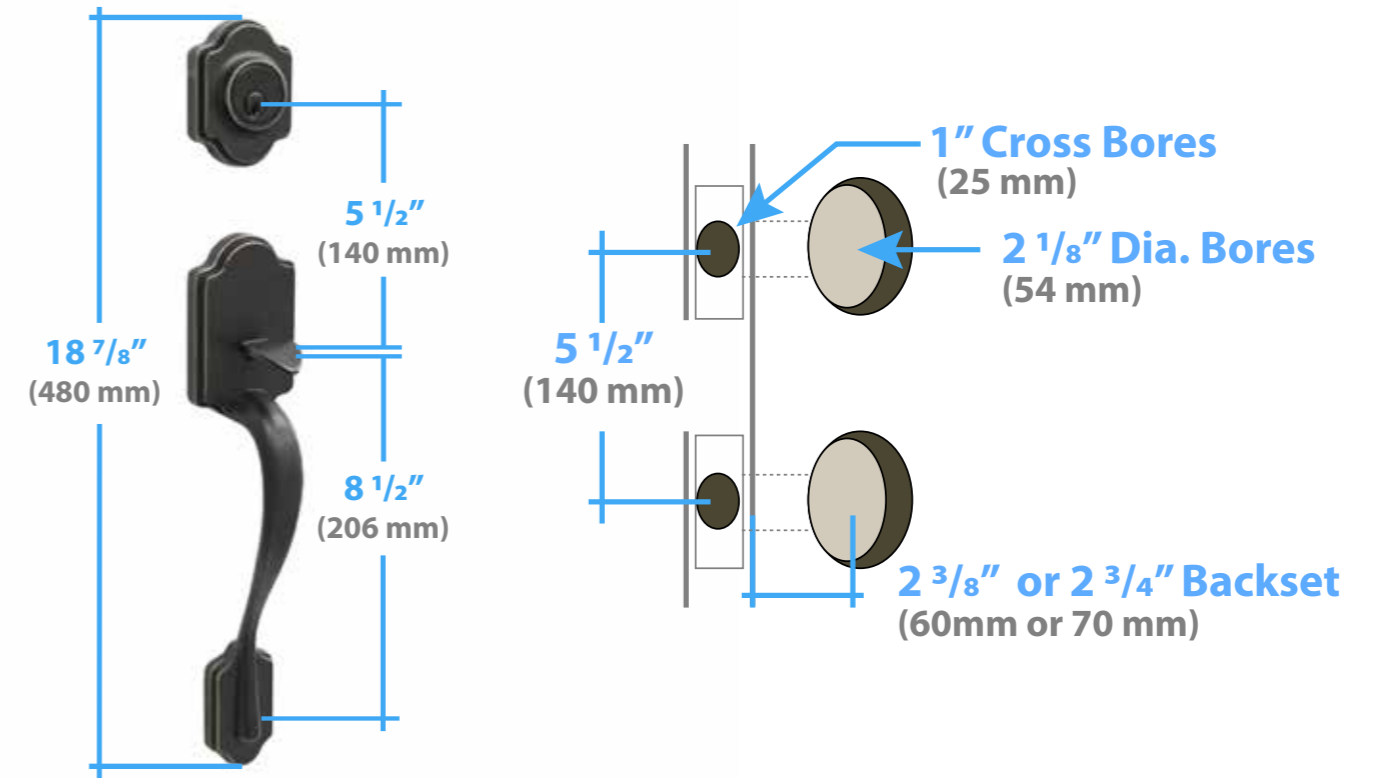


- Mortise Lock
- Fits Door Thickness: 1-3/8" to 1-3/4" (35 mm or 44.5 mm)
- Turn Button Locking

## Arlington Residential Single Cylinder Entry Door Handleset with Interior Lever



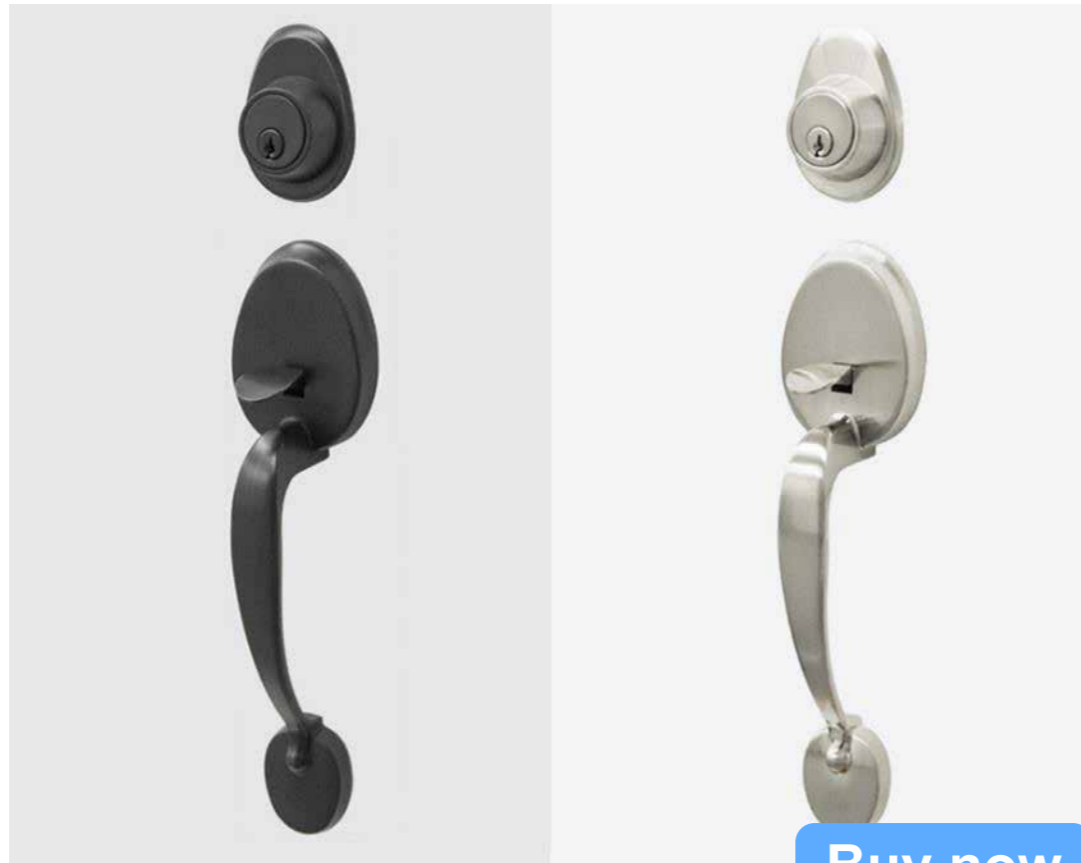
[Buy now](#)



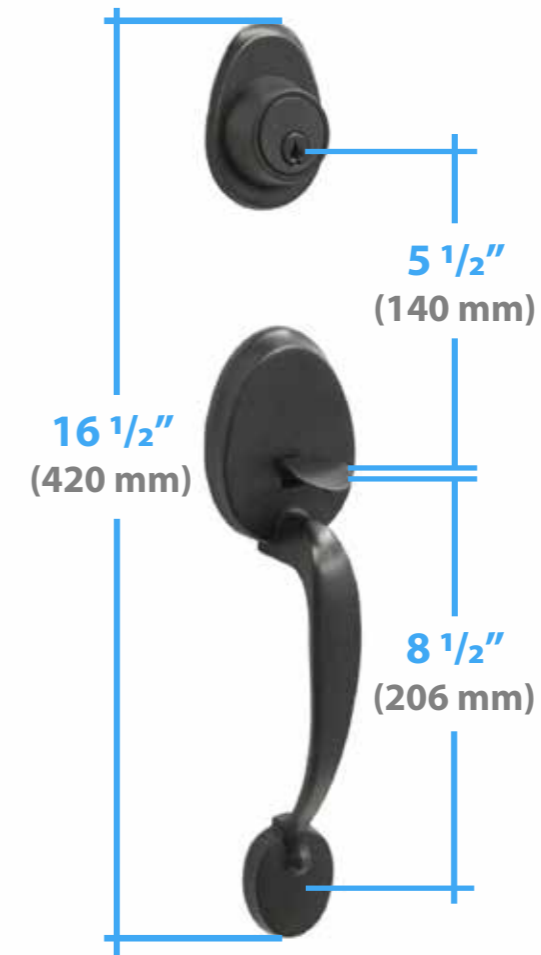
### Product Description:

- Fits doors  $1\frac{3}{8}$ " (35mm) -  $2\frac{1}{4}$ " (57mm)
- Fits Standard door prep of  $2\frac{1}{8}$ " bore holes at  $5\frac{1}{2}$ " center-to-center
- Made of solid zinc-based sandcast metal alloy
- Latch is adjustable:  $2\frac{3}{8}$ " (60mm) -  $2\frac{3}{4}$ " (70mm)
- Locking mechanism: tubular lock
- Security Grade: Grade 2
- 2 Keys, mounting hardware, strike plates are included

## Chelsea Residential Single Cylinder Entry Door Handleset



[Buy now](#)

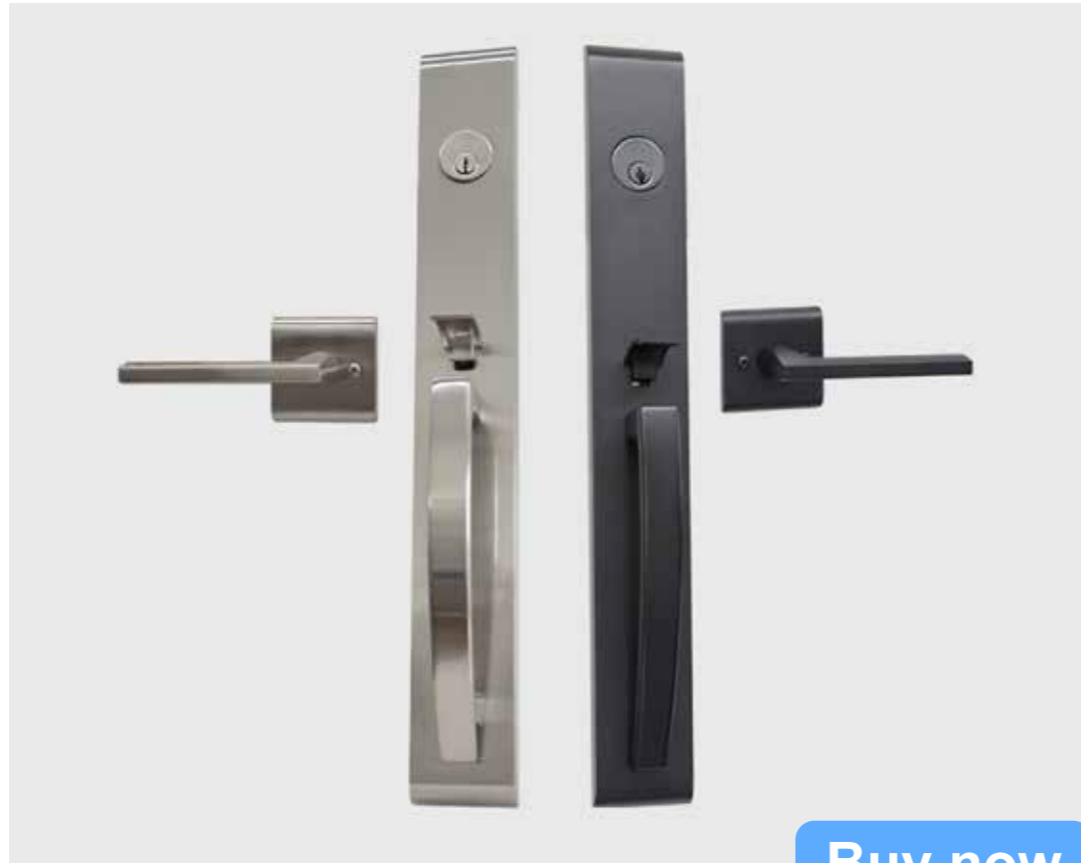


### Product Description:

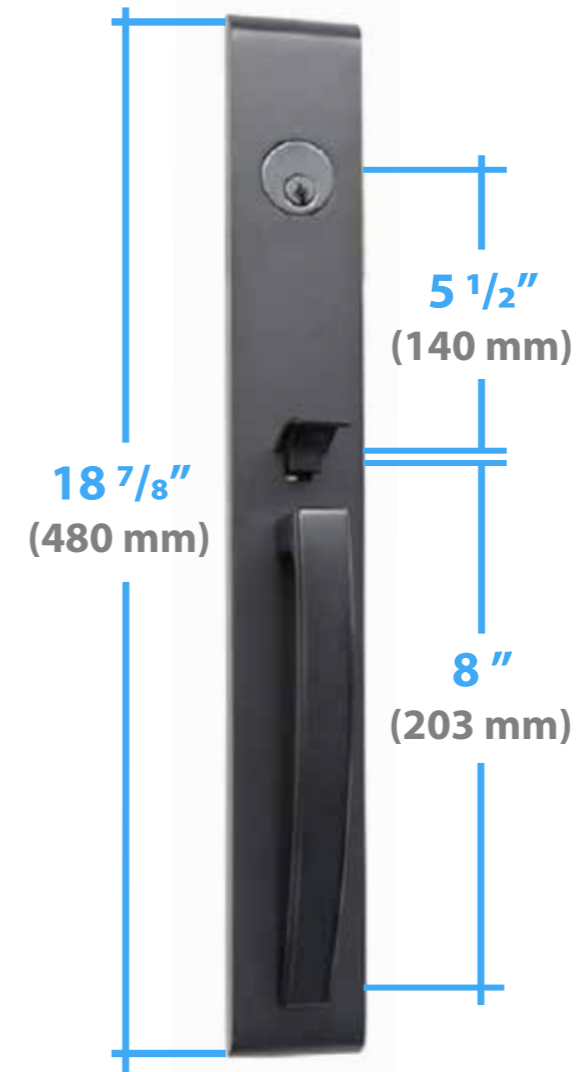
- Fits doors 1-3/8"(35mm) - 2-1/4"(57mm)
- Fits Standard door prep of 2-1/8" bore holes at 5-1/2" center-to-center
- Made of solid zinc-based sandcast metal alloy
- Latch is adjustable: 2-3/8"(60mm) - 2-3/4"(70mm)
- Locking mechanism: tubular lock
- Security Grade: Grade 2
- 2 Keys, mounting hardware, strike plates are included



## Orion Full Plate Entry Handleset with Inner Lever



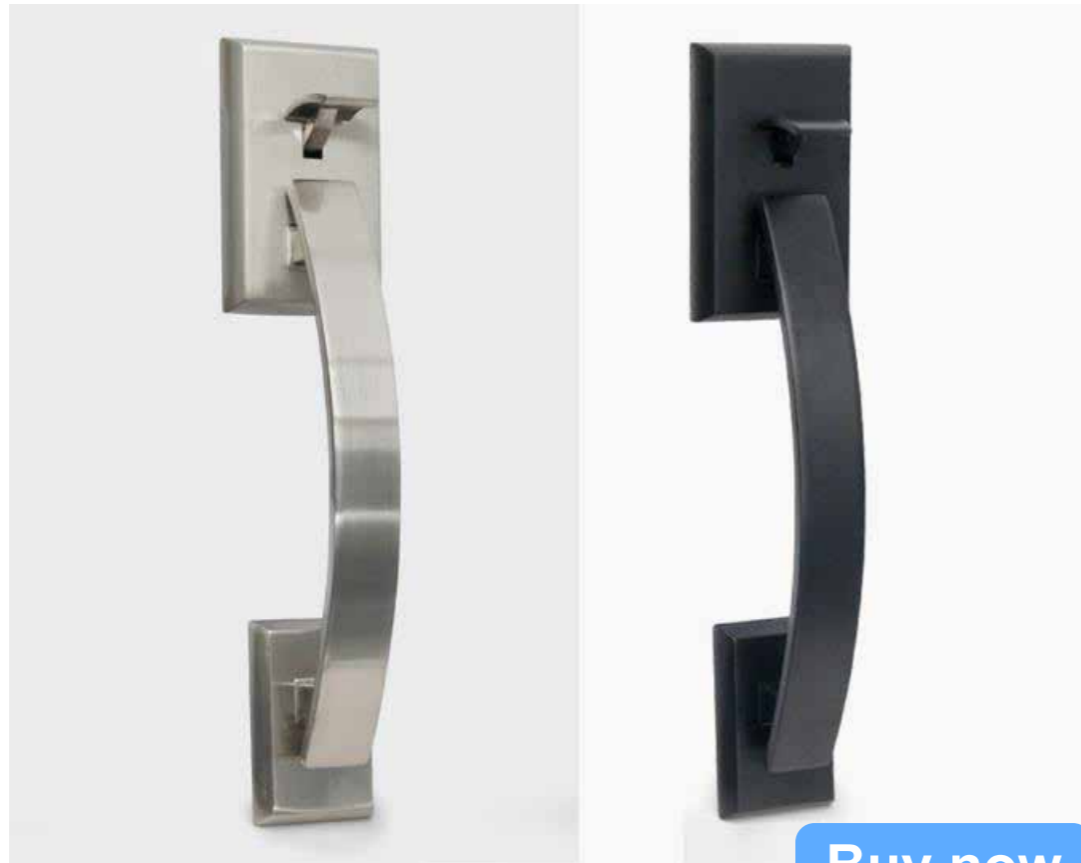
[Buy now](#)



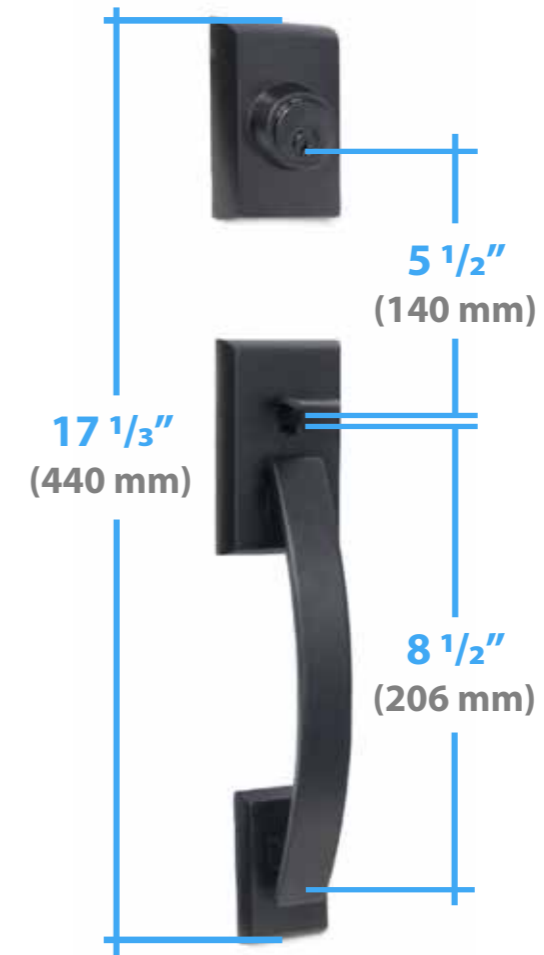
### Product Description:

- Fits doors 1-3/8"(35mm) – 2-1/4"(57mm) thick
- Fits standard door prep of 2-1/8" bore holes at 5-1/2" center-to-center
- Latch is adjustable: 2-3/8"(60mm) – 2-3/4"(70mm)
- Locking mechanism: tubular lock
- 2 Keys, mounting hardware, strike plates are included

## Tavaris Residential Single Cylinder Entry Door Handleset



[Buy now](#)



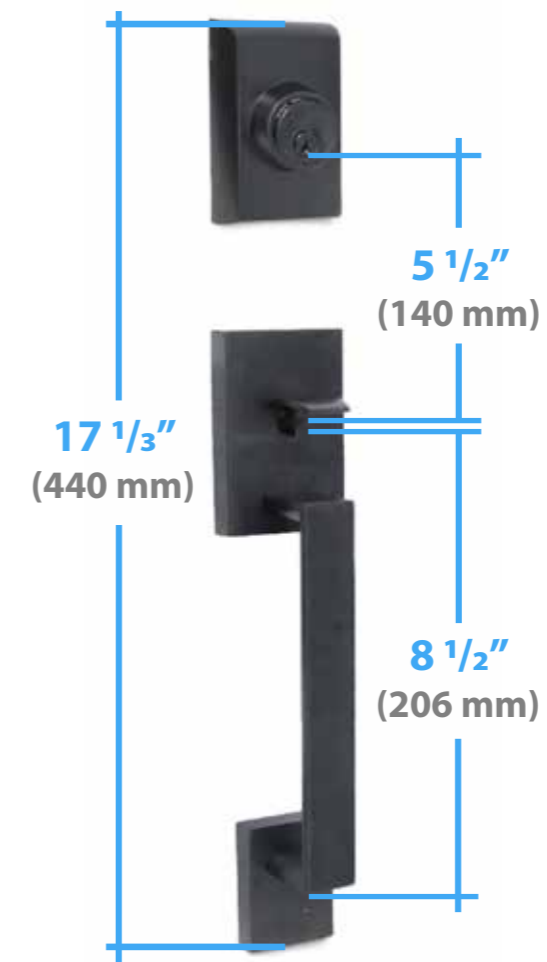
### Product Description:

- Fits doors 1-3/8"(35mm) - 2-1/4"(57mm)
- Fits Standard door prep of 2-1/8" bore holes at 5-1/2" center-to-center
- Made of solid zinc-based sandcast metal alloy
- Latch is adjustable: 2-3/8"(60mm) - 2-3/4"(70mm)
- Locking mechanism: tubular lock
- Security Grade: Grade 2
- 2 Keys, mounting hardware, strike plates are included

## Century Residential Single Cylinder Entry Door Handleset



[Buy now](#)

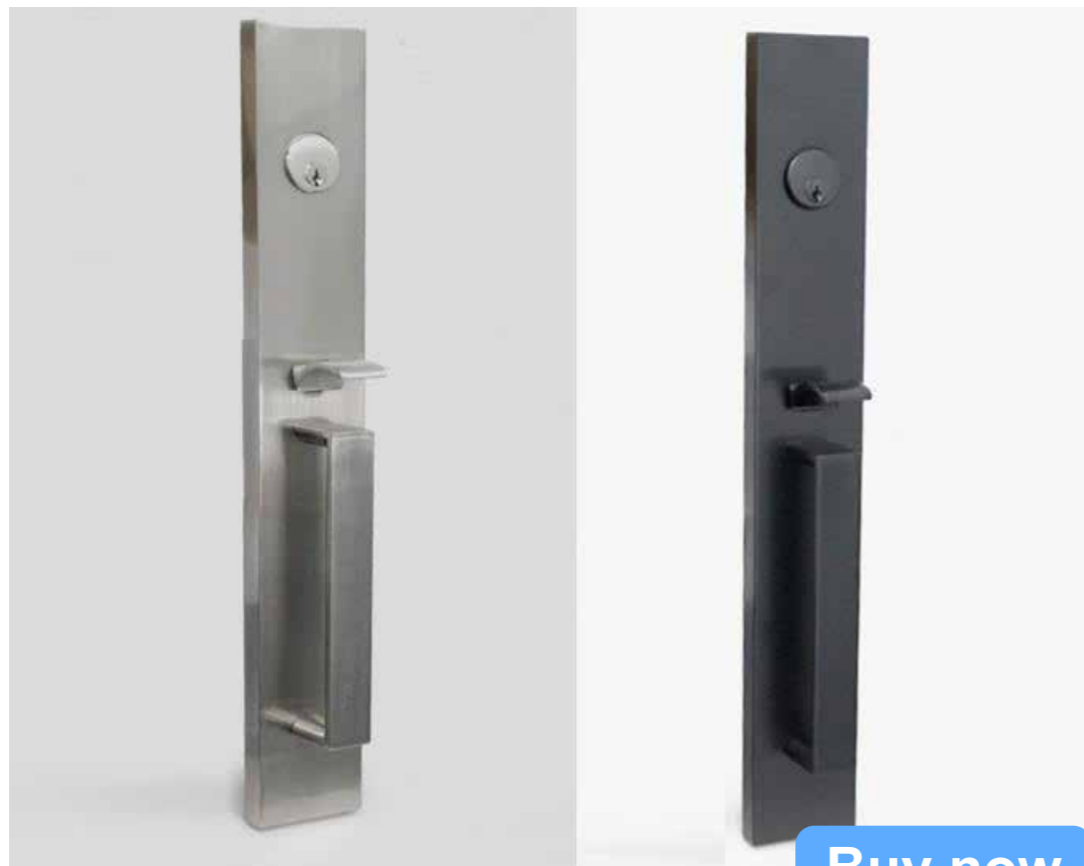


### Product Description:

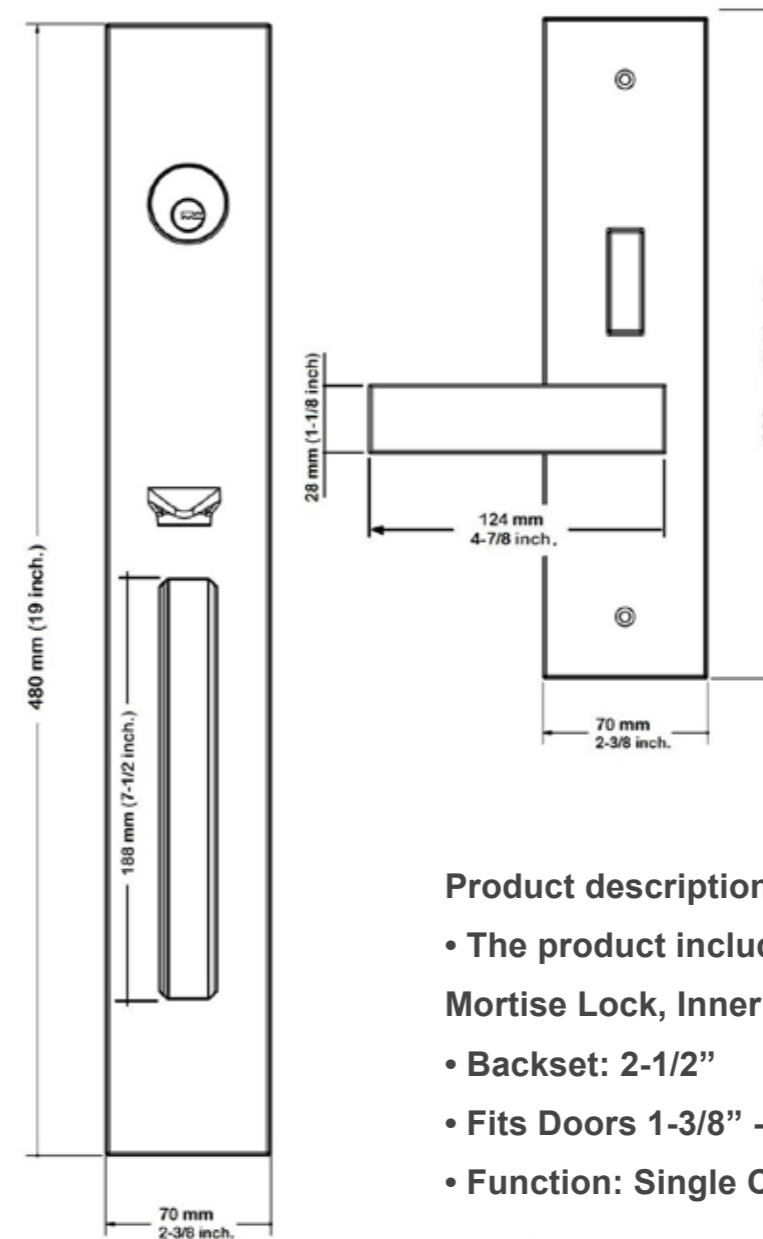
- Fits doors 1-3/8"(35mm) - 2-1/4"(57mm)
- Fits Standard door prep of 2-1/8" bore holes at 5-1/2" center-to-center
- Made of solid zinc-based sandcast metal alloy
- Latch is adjustable: 2-3/8"(60mm) - 2-3/4"(70mm)
- Locking mechanism: tubular lock
- Security Grade: Grade 2
- 2 Keys, mounting hardware, strike plates are included

## Lugano Full Plate Entry Mortise Handleset with Interior Lever Standard Mortise Lock Door Preparation

**NON-BORED DOORS ONLY**



[Buy now](#)



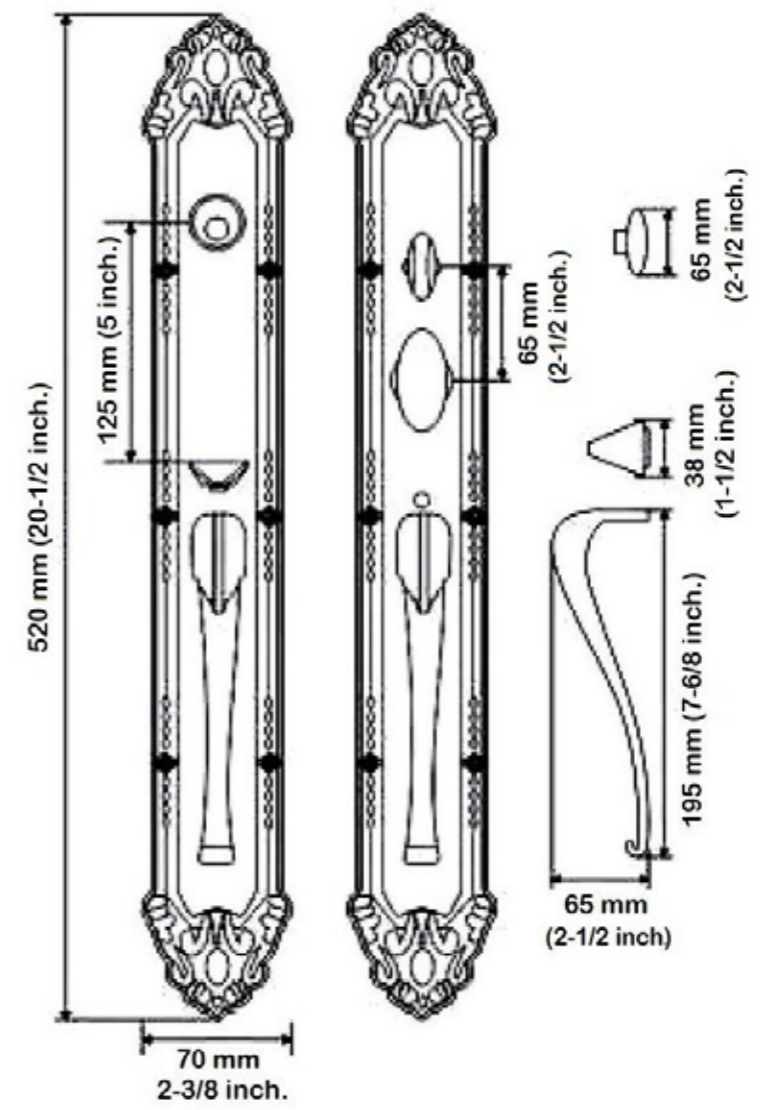
### Product description:

- The product includes Trim Set, Key Cylinder, Mortise Lock, Inner Lever, Mounting Screws.
- Backset: 2-1/2"
- Fits Doors 1-3/8" - 2-1/4" Thick
- Function: Single Cylinder Entry Set

**Luxury Full Plate Entry Mortise Handleset  
with Interior Lever  
Standard Mortise Lock Door Preparation  
NON-BORED DOORS ONLY**



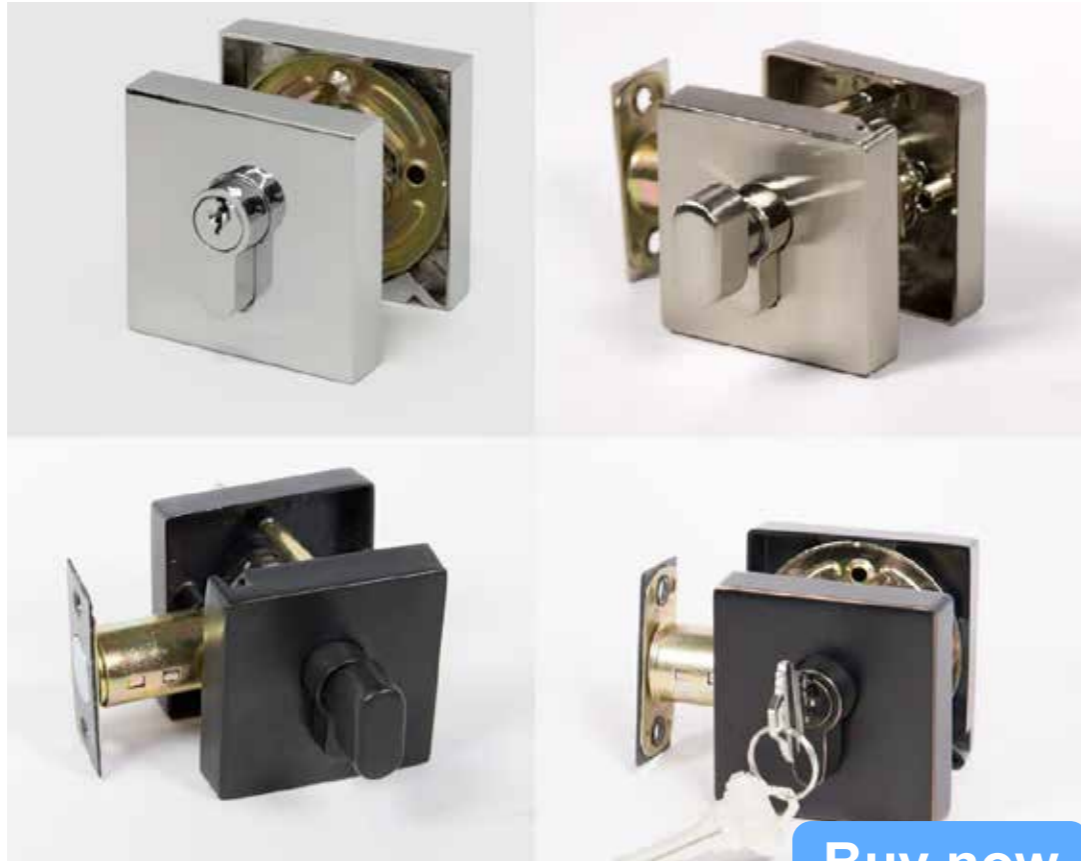
**Buy now**



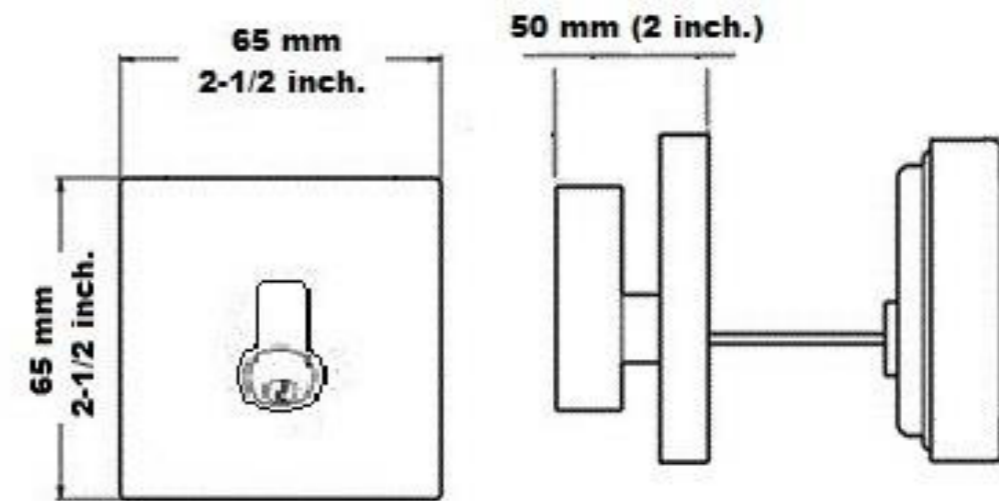
**Product description:**

- The product includes Trim Set, Key Cylinder, Mortise Lock, Inner Lever, Mounting Screws.
- Solid Forged Brass construction
- Backset: 2-1/2"
- Fits Doors 1-3/8" - 2-1/4" Thick
- Function: Single Cylinder Entry Set

## Modern Residential Single Cylinder Square Deadbolt



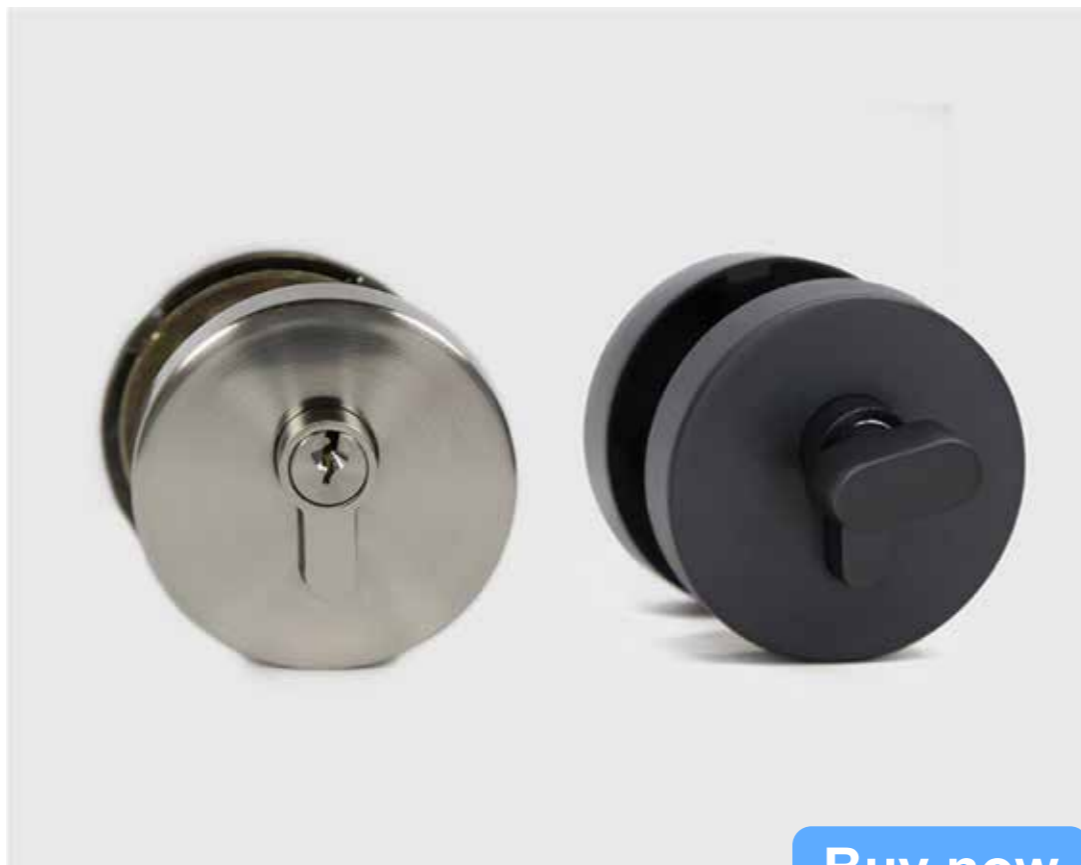
[Buy now](#)



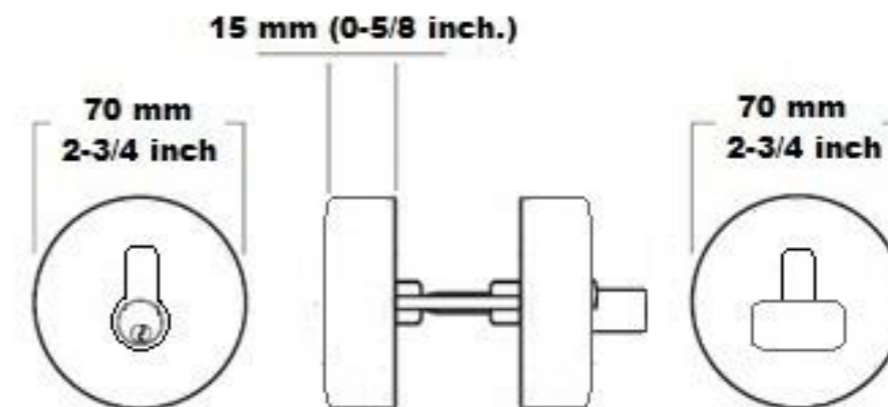
### DESCRIPTION

- Backset: Adjustable for 2-3/8" or 2-3/4"
- Door thickness range: 1-3/8" to 1-3/4"
- Deadbolt type: Single Cylinder

## Modern Residential Single Cylinder Round Deadbolt



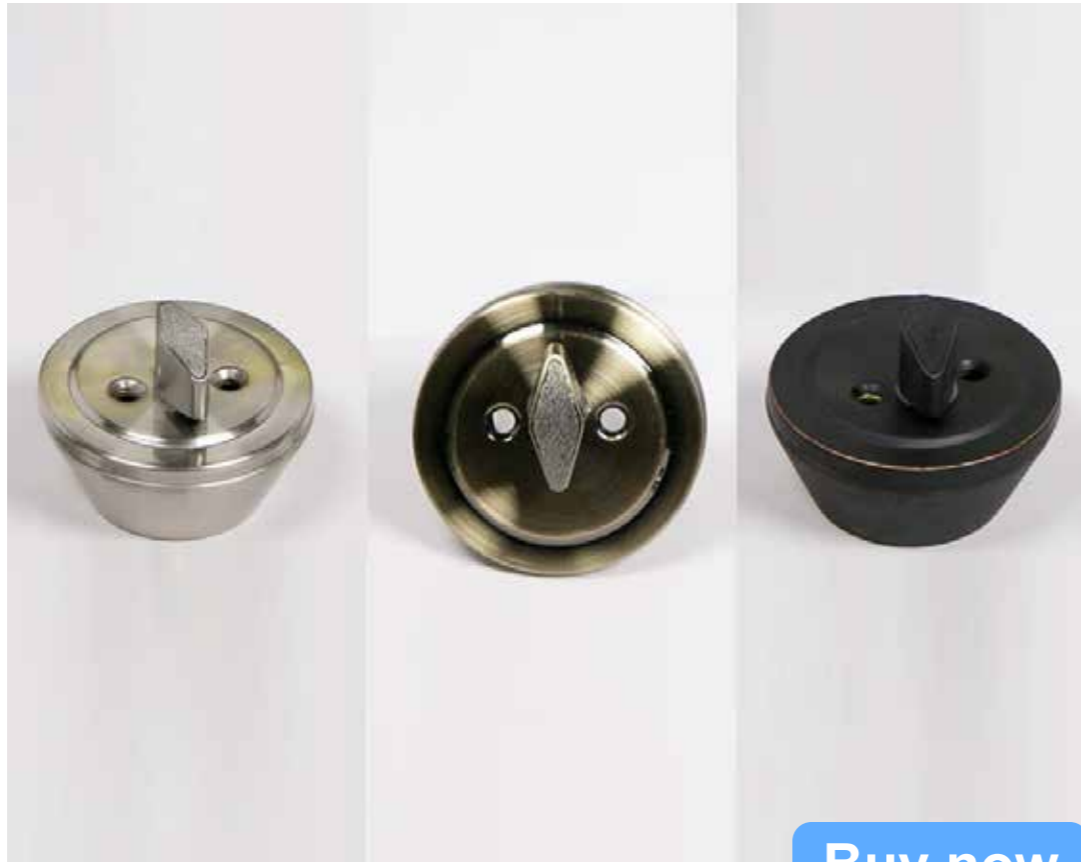
[Buy now](#)



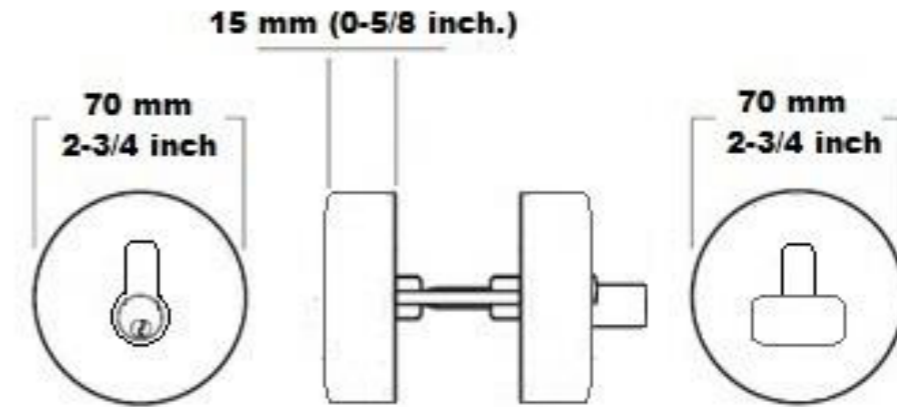
### DESCRIPTION

- Backset: Adjustable for 2-3/8" or 2-3/4"
- Door thickness range: 1-3/8" to 1-3/4"
- Deadbolt type: Single Cylinder

## Classic Residential Deadbolt



[Buy now](#)



### DESCRIPTION

- Backset: Adjustable for 2-3/8" or 2-3/4"
- Door thickness range: 1-3/8" to 1-3/4"
- Deadbolt type: Single Cylinder



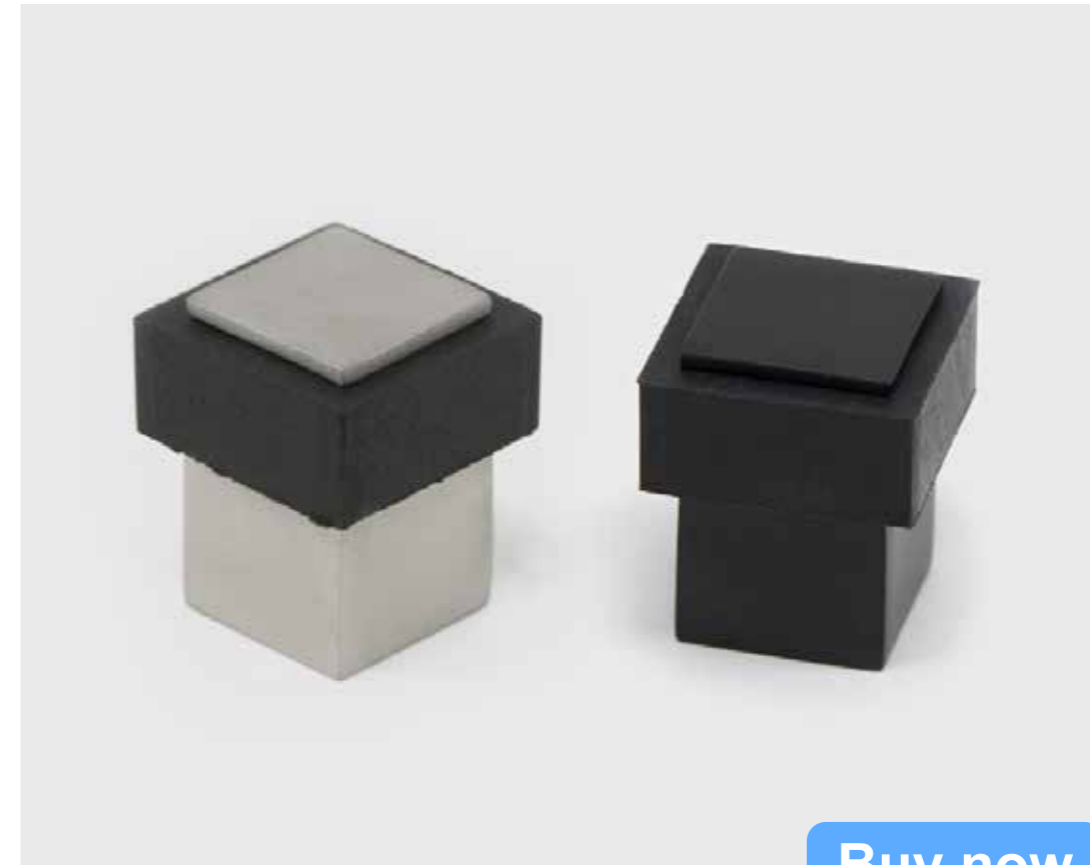
## Modern Square Door Stop Baseboard Mounted



[Buy now](#)

- Resilient Rubber Guard, non-marking
- Width: 3" (76.2 mm), Projection: 3" (76.2 mm)
- Base size:  $\frac{3}{4}$ " x  $\frac{3}{4}$ "

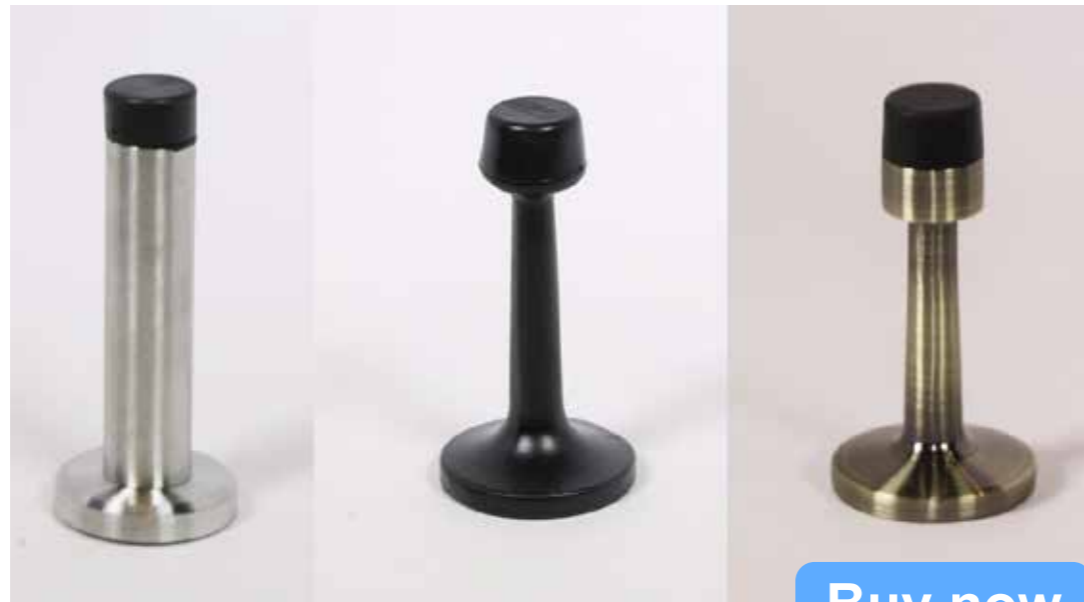
## Modern Square Door Stop Floor Mounted



[Buy now](#)

- Resilient Rubber Guard, non-marking
- Width: 1-1/5 inch. (38 mm), Projection: 1-1/8 inch. (30 mm)
- Includes Necessary Installation Hardware

## Classic Round Door Stop Baseboard Mounted



[Buy now](#)

- Resilient Rubber Guard, non-marking
- Width: 3" (76.2 mm), Projection: 3" (76.2 mm)
- Base size:  $\frac{3}{4}$ " x  $\frac{3}{4}$ "

## Ball Bearing Door Hinges (2-Pack ) SS304



[Buy now](#)

- Ideal for residential use for doors up to 1-3/4" thick
- Heavy-gauge cold-rolled steel for added strength
- Fits standard hinge cutout
- Made of Stainless Steel 304
- Screws included

## Ball Bearing Hinges (2-pack) Round Cut Out 5/8 inch. Radius SS304



[Buy now](#)

## Ball Bearing Door Hinges (2-Pack) Steeple Tip Round Cut Out 5/8 in. Radius SS304



[Buy now](#)

- Ideal for residential use for doors up to 1-3/4" thick
- Heavy-gauge cold-rolled steel for added strength
- Fits standard hinge cutout
- Made of Stainless Steel 304
- Screws included

# Shipping, Warranty & Returns

## Shipping

We ship Canada-wide from Toronto via Canada Post.

Most orders are dispatched same day as payment received.

All quoted delivery dates of 1 to 3 working days and 3 to 7 working days excludes weekends. You will receive the tracking number once the parcel is sent. Currently all orders over \$100 CAD are shipped free of charge. Otherwise we charge flat fee of \$20 per order.

## Local pickup

Local pickups are available at the following address:

226 Wildcat Rd, North York, ON, M3J 2N5 Mon-Fr: 10am-5pm; Sat: 10am-4pm; Sun-closed

## Warranty

If there are any mechanical problems with the product within 1 year from the day of purchase, we would replace the product free of charge minus the shipping cost. This warranty covers any supplied or manufactured parts of the product that, upon inspection by Renovation Outlet authorized personnel, is found to have failed in normal use due to defects in the material or workmanship. This warranty does not apply to the installation expenses. Attempting to service or modify this unit, operating this unit under conditions other than the recommended will render this warranty void. Unless otherwise prescribed by law, Renovation Outlet shall not be liable for any personal injury, property damage and or any incidental or consequential damages of any kind (including water damage) resulting from malfunctions, defects, misuse, improper installation or alteration of this product. All parts of this product are guaranteed for a period of 1 year as follows: Within the first 12 months from the date of purchase, subject to the conditions above, Renovation Outlet will repair or replace the product if it is defective in the material or workmanship. All shipping handling charges are non-refundable. Warranty does not cover normal tear and wear, damages due to negligence, improper installation, and operation.

## Returns

- Here at Renovation Outlet we offer 30-day money back guarantee
- This 30-day money back guarantee is a subject to the following simple conditions:
- The items are undamaged in original packaging
- 10% restocking fee may apply
- Carriage costs are not refundable and return carriage is payable by the customer
- We will credit your payment card account within 1 week after the return is received

 (+1) 416-822-7588

 [info@renovationoutlet.ca](mailto:info@renovationoutlet.ca)

**RENOVATIONOUTLET**

door hardware at unbeatable price